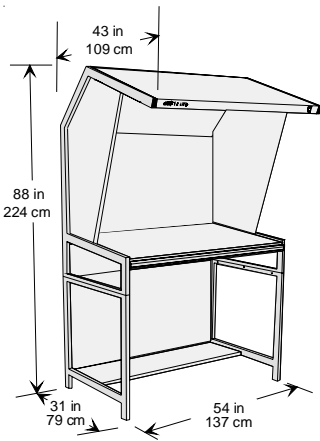
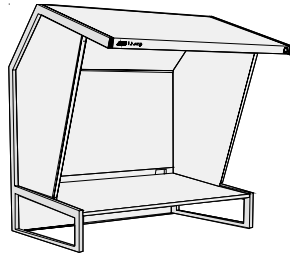


# CVX Ordering Guide

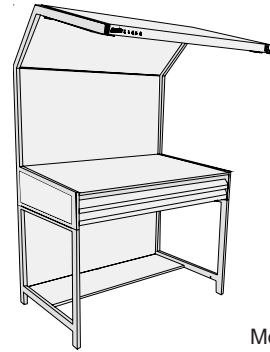
Choose one of the package options shown, or....create your own!



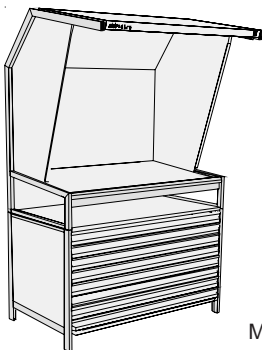
**CVX-1**  
Model: CVX-1



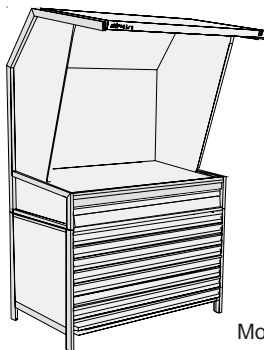
**CVX-B**  
Model: CVX-1/NS



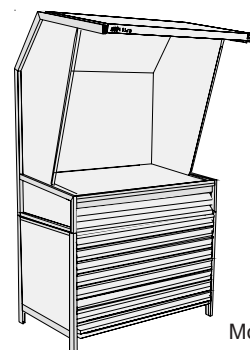
**CVX-C**  
Model: CVX-1/2F  
*Shown w/o included side walls installed*



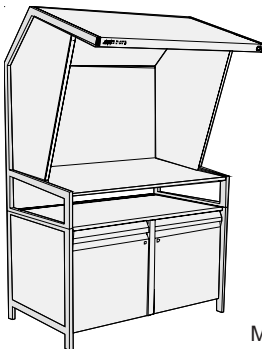
**CVX-D**  
Model: CVX-1/FD\*



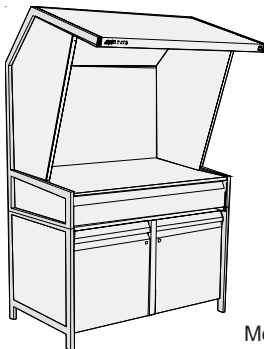
**CVX-E**  
Model: CVX-1/FD/1F\*



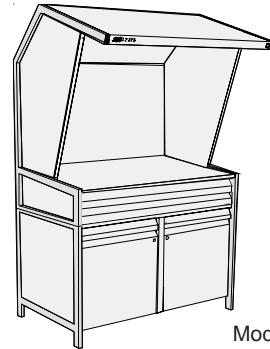
**CVX-F**  
Model: CVX-1/FD/2F\*



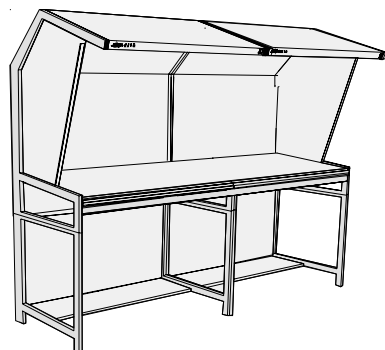
**CVX-G**  
Model: CVX-1/SC



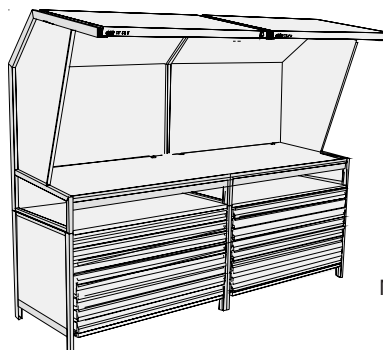
**CVX-H**  
Model: CVX-1/SC/1F



**CVX-I**  
Model: CVX-1/SC/2F



**CVX-J**  
Model: CVX-2



**CVX-K**  
Model: CVX-2/FD\*\*

Please add crating fee charges:  
\* \$125.00  
\*\* \$250.00

**GTI Graphic Technology, Inc.**

211 Dupont Avenue, P.O. Box 3138 | Newburgh, New York 12550 | Tel: 845-562-7066 | Fax: 845-562-2543 | Web: [www.gtilite.com](http://www.gtilite.com)