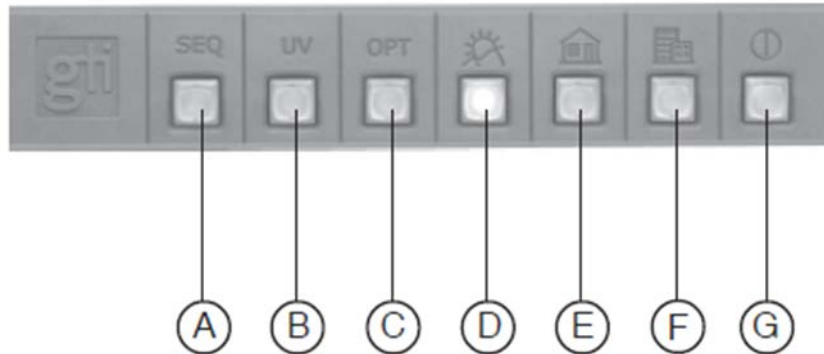


PROGRAMMING A SEQUENCE



Press and hold the SEQ “A” button. While holding the SEQ button, press the buttons for the sources you wish to turn on in the order you want them activated (up to 10). After selecting your light sources, while still holding the SEQ button, press the Power “G” button for the length of time you want each source to be on.

Note: all sources will be turned on for the same time period. If you want an individual light source to be on 2 or 3 times longer, simply press its button two or three times while programming the sequence. The sequencing “On” period has been programmed to not allow “On” times to be less than 5 seconds.

After releasing the OFF button, you can release the SEQ button. To use the automatic sequence, simply press the illuminated yellow SEQ button. The sequence will remain in memory until a new program is entered, or, if you press the SEQ button and hold while pressing the OFF button, this will also clear the sequence.